



PRELIMINARY

RM-HP250DE

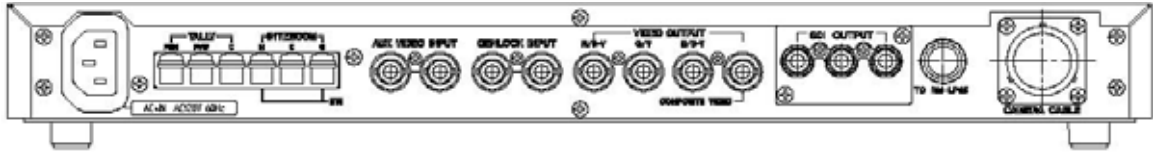
Remote Control Unit

Studio CCU with HD SDI

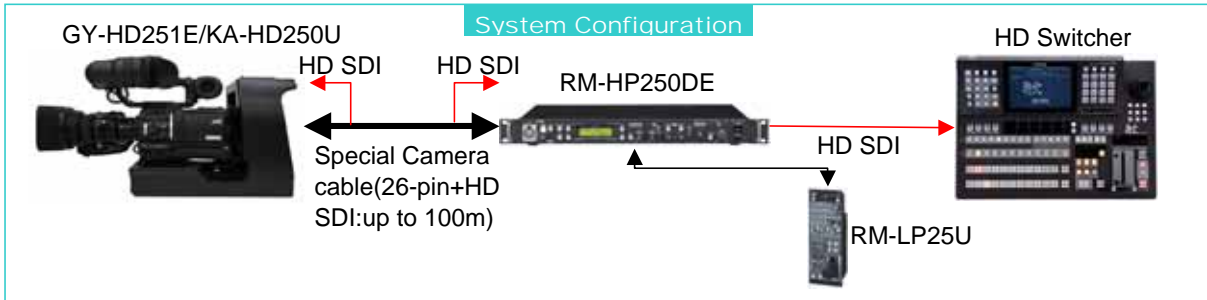
New Product News



- HD/SD SDI in and out (through), in conjunction with GY-HD251E and JVC special 26 pin HK type multicore cable
- HD and SD analogue component signals via standard 26 pin multicore cable
- Camera control up to 100m via multicore cable
- Optional RM-LP25U operator control panel (OCP) with joystick for local control



- Camera menu access and control
- 4 user settings assignable to any camera function
- 4 user scene file settings
- Compatible with Sony 26 pin CCU cable
- RTS or 2-wire compatible intercom system
- Compact size: rack mount, 1U



Standard 26 pin multicore cables from JVC, Sony and others, unlike the JVC special HK type 26 pin multicore cable, cannot carry integrally the HD/SD SDI signal. With standard 26 pin multicore cable, the HD/SD SDI signal from GY-HD251E must be carried by separate BNC cable.

Specifications

Output signals
Analog composite: 1.0Vp-p, 75 ohms, unbalanced(SD only)
Analog component: Y:1.0Vp-p, 75 ohms, unbalanced C:0.7Vp-p, 75 ohms, unbalanced
HD/SD SDI: SMPTE292M compliant HD serial digital signal SMPTE259M compliant SD serial digital signal
Intercom: 2-line system, -10dB, 600 ohms, unbalanced
Input signals
Genlock: BB: SMPTE 170M(RS-170A) compliant(SD) HDTV Tri-sync: SMPTE296M/SMPTE274M compliant
Aux: VBS or VS:1Vp-p, 75 ohms, unbalanced
Intercom: 2-line system, -10dB, 600 ohms, unbalanced
Tally: Contact closure or power(5 to 24V DC or 6V AC)
General
Power requirements: AC 230 V, 50Hz
Power consumption: T.B.A.
Operating temperature: +5 degrees to +40 degrees
Storage temperature: -20 degrees to +60 degrees
Operating humidity: Less than 80%
Dimensions (W x H x D): 465 x 64 x 306 mm
Mass: Approx. 5.5 kg net

Options



Operator control unit
RM-LP25U



Special 26-pin cable
with HD/SD SDI
HK-VC10: 10m
HK-VC20: 20m
HK\VC25: 25m
HK-VC100: 100m



Camera cable
VC-P110U: 5m
VC-P112U: 20m
VC-P113U: 50m
VC-P114U: 100m
(analog video I/F only)



Remote cable coupler
KA-280U
(for VC-P110U/P112U/P113U/P114U)